



Foundry & Engineering

Diversity is our Strength - Engineering is our Passion



About Us

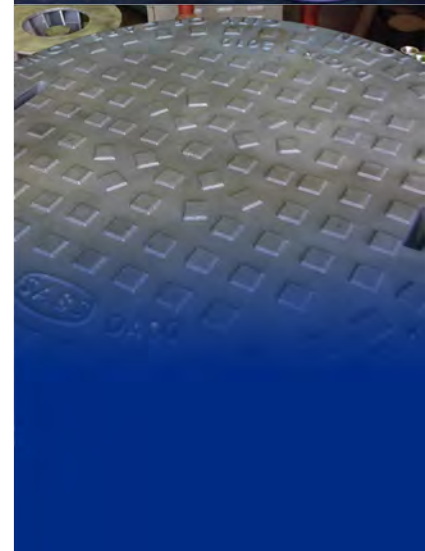
Dycer started as a business trading truck and bus spare parts, and has grown into a fully-fledged manufacturing engineering business, servicing customers in diversified markets. We manufacture a wide range of products, individual components and assemblies, both customised and at scale. We continue to develop our expertise and capabilities as opportunities present themselves.

**OUR AIM IS TO CONSISTENTLY DELIVER
ON OUR PROMISE**

**OUR PROMISE IS TO DELIVER A QUALITY
PRODUCT ON TIME, EVERY TIME**

QUALITY MEANS MADE TO SPECIFICATION

**COMMUNICATION, RELIABILITY AND
PLANNING ARE KEY**



Key People

John

Started the company with Connie, gets involved in all aspects of running the company.

Connie

Founding member who runs the finances.

Johan

Foundry Manager with extensive experience in all aspects of foundry operations, particularly casting materials.

Frank

Metallurgist with vast experience in foundry metallurgy and general foundry operations, involved with quality.

Andre

Engineering Manager with extensive engineering manufacturing and design experience.

Manie

Quality Manager, years of experience in the military manufacturing environment.

Ticha

Our customer service specialist.



Manufacturing Capabilities

Foundry and Pattern Shop

We cast a wide range of ferrous and non-ferrous materials, including:

- Ductile (SG) Irons
- Austempered Ductile Irons (ADI)
- Cast Irons
- Chrome Irons
- Low Carbon Steels
- Alloyed Steels
- Manganese Steels
- Stainless Steels
- Copper Based Alloys (Brass and Bronze)
- Aluminiums

We have our own pattern making facilities, and make use of external heat treaters and independent laboratories



MANUFACTURING CAPABILITIES

CNC Machining

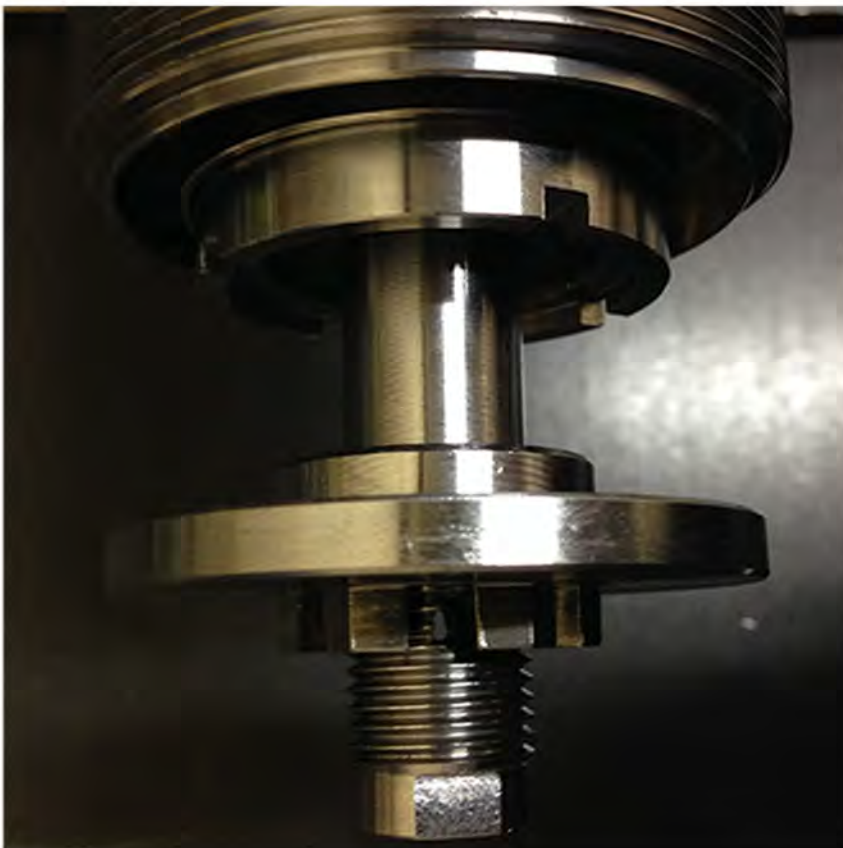
We have the added capability that we can machine castings and fabrications from our own foundry and fabrication shop, as well as numerous other components made from different stock material.

We run both CNC lathes and machining centres, and make use of Mastercam for programming

Fabrication & Component Assembly Line

We fabricate a range of materials including mild steel, graded steels, stainless steel and aluminium, using Mig, Tig and spot welding.

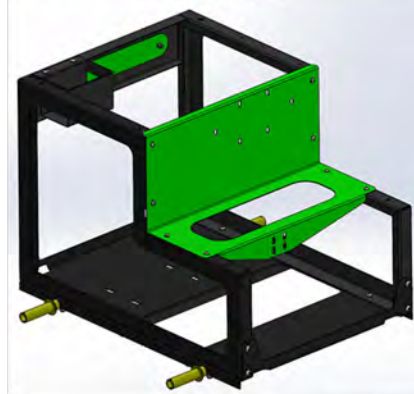
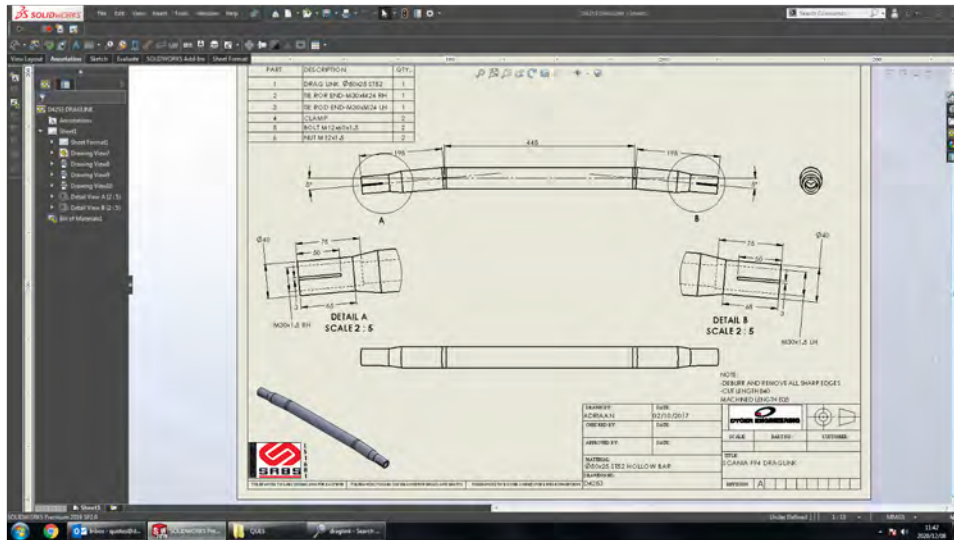
We prefer to do assemblies or sub-assemblies whenever possible, primarily to ensure that all components fit and work together as they should, we have learnt this through experience.



Manufacturing Capabilities

Design and Drafting

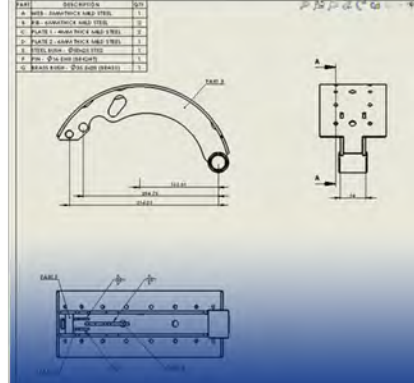
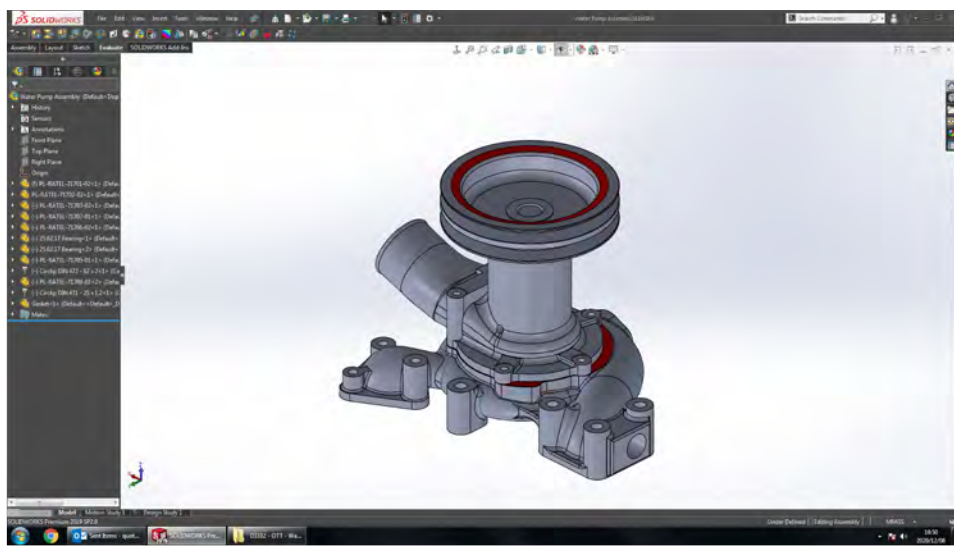
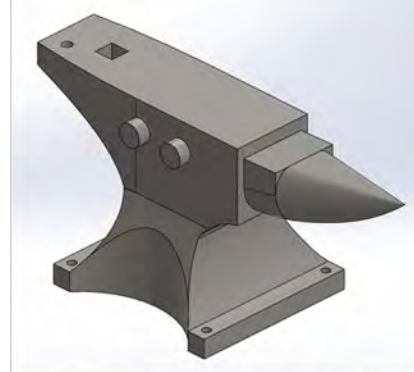
We have drafting, design and reverse engineering capabilities, and use Solidworks as our drafting package.



Outwork

We make use of an extensive network of subcontractors that we have built working relationships with over the years, covering a wide range of capabilities, including, but not limited to:

- Various forms of finishing processes such as powder coating, e-coating, galvanizing, electroplating, specialized finishes
- Fabrication processes such as cutting, bending, rolling
- Machining including spark eroding and wire cutting
- Gear cutting and grinding
- Rubber and polyurethane
- Injection moulding
- 3D printing (additive manufacturing)



Customer Profiles

Our customers come from widely diversified markets, and we have done work in many industries, including, but not limited to:

- Automotive, both for OE and aftermarket products
- Military vehicles
- Military equipment
- Communications
- Eskom
- Transwerk
- Mining crusher parts
- Numerous other mining equipment parts
- Pump components
- Catering equipment
- Brick works
- Gas engines
- Conveyors
- Cleaning equipment
- Boiler parts
- Blacksmithing



Certification and Accreditation

SWORN AFFIDAVIT –

I, the undersigned,

Full name & Surname	John
Identity number	5808

Hereby declare under oath as follows:

- The contents of this statement
- I am a Member / Director in its behalf.

Enterprise Name:	Dycer
Trading Name (if Applicable):	Dycer
Registration Number:	2016
Enterprise Physical Address:	10 Tl 275 J Waltl
Type of Entity (CC, (Pty) Ltd, Sole Prop etc.):	(Pty)
Nature of Business:	Engin
Definition of "Black People"	As p Arne mea
Definition of "Black Designated Groups"	"Blac



Certificate of Registration

This is to certify that the Quality Management System of

**DYCER CC
PRETORIA**

has been assessed and found to satisfy the requirements of

ISO 9001:2015

QUALITY MANAGEMENT SYSTEMS - REQUIREMENTS

in respect of

THE CASTING, MANUFACTURING AND ENGINEERING OF AUTOMOTIVE, MILITARY AND INDUSTRIAL PRODUCTS

NOT APPLICABLE CLAUSE:

8.3 DESIGN AND DEVELOPMENT OF PRODUCTS AND SERVICES

This certificate, including the schedule which forms an integral part thereof:

- is issued without alteration;
- is identified by the applicable registration number;
- is subject to any condition or limitation contained therein;
- is valid subject to ongoing compliance with certification requirements;
- bears the embossed SABS Commercial seal. In the absence of the seal, the certificate and the schedule shall be invalid; and
- the certificate may be authenticated by referring to the register of "Certified Clients" on the SABS Commercial website (www.sabs.co.za).

Registration Number	LS 1681
Effective Date	28 November 2018
Expiry Date	17 November 2021
Date of Original Registration	17 November 1995

Chief Executive Officer *A. Cabashe*





SABS COMMERCIAL SOC LTD
121, 122, 123, 124, 125, 126, 127, 128, 129, 130, 131, 132, 133, 134, 135, 136, 137, 138, 139, 140, 141, 142, 143, 144, 145, 146, 147, 148, 149, 150, 151, 152, 153, 154, 155, 156, 157, 158, 159, 160, 161, 162, 163, 164, 165, 166, 167, 168, 169, 170, 171, 172, 173, 174, 175, 176, 177, 178, 179, 180, 181, 182, 183, 184, 185, 186, 187, 188, 189, 190, 191, 192, 193, 194, 195, 196, 197, 198, 199, 200, 201, 202, 203, 204, 205, 206, 207, 208, 209, 210, 211, 212, 213, 214, 215, 216, 217, 218, 219, 220, 221, 222, 223, 224, 225, 226, 227, 228, 229, 230, 231, 232, 233, 234, 235, 236, 237, 238, 239, 240, 241, 242, 243, 244, 245, 246, 247, 248, 249, 250, 251, 252, 253, 254, 255, 256, 257, 258, 259, 260, 261, 262, 263, 264, 265, 266, 267, 268, 269, 270, 271, 272, 273, 274, 275, 276, 277, 278, 279, 280, 281, 282, 283, 284, 285, 286, 287, 288, 289, 290, 291, 292, 293, 294, 295, 296, 297, 298, 299, 300, 301, 302, 303, 304, 305, 306, 307, 308, 309, 310, 311, 312, 313, 314, 315, 316, 317, 318, 319, 320, 321, 322, 323, 324, 325, 326, 327, 328, 329, 330, 331, 332, 333, 334, 335, 336, 337, 338, 339, 340, 341, 342, 343, 344, 345, 346, 347, 348, 349, 350, 351, 352, 353, 354, 355, 356, 357, 358, 359, 360, 361, 362, 363, 364, 365, 366, 367, 368, 369, 370, 371, 372, 373, 374, 375, 376, 377, 378, 379, 380, 381, 382, 383, 384, 385, 386, 387, 388, 389, 390, 391, 392, 393, 394, 395, 396, 397, 398, 399, 400, 401, 402, 403, 404, 405, 406, 407, 408, 409, 410, 411, 412, 413, 414, 415, 416, 417, 418, 419, 420, 421, 422, 423, 424, 425, 426, 427, 428, 429, 430, 431, 432, 433, 434, 435, 436, 437, 438, 439, 440, 441, 442, 443, 444, 445, 446, 447, 448, 449, 450, 451, 452, 453, 454, 455, 456, 457, 458, 459, 460, 461, 462, 463, 464, 465, 466, 467, 468, 469, 470, 471, 472, 473, 474, 475, 476, 477, 478, 479, 480, 481, 482, 483, 484, 485, 486, 487, 488, 489, 490, 491, 492, 493, 494, 495, 496, 497, 498, 499, 500, 501, 502, 503, 504, 505, 506, 507, 508, 509, 510, 511, 512, 513, 514, 515, 516, 517, 518, 519, 520, 521, 522, 523, 524, 525, 526, 527, 528, 529, 530, 531, 532, 533, 534, 535, 536, 537, 538, 539, 540, 541, 542, 543, 544, 545, 546, 547, 548, 549, 550, 551, 552, 553, 554, 555, 556, 557, 558, 559, 560, 561, 562, 563, 564, 565, 566, 567, 568, 569, 570, 571, 572, 573, 574, 575, 576, 577, 578, 579, 580, 581, 582, 583, 584, 585, 586, 587, 588, 589, 590, 591, 592, 593, 594, 595, 596, 597, 598, 599, 600, 601, 602, 603, 604, 605, 606, 607, 608, 609, 610, 611, 612, 613, 614, 615, 616, 617, 618, 619, 620, 621, 622, 623, 624, 625, 626, 627, 628, 629, 630, 631, 632, 633, 634, 635, 636, 637, 638, 639, 640, 641, 642, 643, 644, 645, 646, 647, 648, 649, 650, 651, 652, 653, 654, 655, 656, 657, 658, 659, 660, 661, 662, 663, 664, 665, 666, 667, 668, 669, 670, 671, 672, 673, 674, 675, 676, 677, 678, 679, 680, 681, 682, 683, 684, 685, 686, 687, 688, 689, 690, 691, 692, 693, 694, 695, 696, 697, 698, 699, 700, 701, 702, 703, 704, 705, 706, 707, 708, 709, 710, 711, 712, 713, 714, 715, 716, 717, 718, 719, 720, 721, 722, 723, 724, 725, 726, 727, 728, 729, 730, 731, 732, 733, 734, 735, 736, 737, 738, 739, 740, 741, 742, 743, 744, 745, 746, 747, 748, 749, 750, 751, 752, 753, 754, 755, 756, 757, 758, 759, 760, 761, 762, 763, 764, 765, 766, 767, 768, 769, 770, 771, 772, 773, 774, 775, 776, 777, 778, 779, 780, 781, 782, 783, 784, 785, 786, 787, 788, 789, 790, 791, 792, 793, 794, 795, 796, 797, 798, 799, 800, 801, 802, 803, 804, 805, 806, 807, 808, 809, 810, 811, 812, 813, 814, 815, 816, 817, 818, 819, 820, 821, 822, 823, 824, 825, 826, 827, 828, 829, 830, 831, 832, 833, 834, 835, 836, 837, 838, 839, 840, 841, 842, 843, 844, 845, 846, 847, 848, 849, 850, 851, 852, 853, 854, 855, 856, 857, 858, 859, 860, 861, 862, 863, 864, 865, 866, 867, 868, 869, 870, 871, 872, 873, 874, 875, 876, 877, 878, 879, 880, 881, 882, 883, 884, 885, 886, 887, 888, 889, 890, 891, 892, 893, 894, 895, 896, 897, 898, 899, 900, 901, 902, 903, 904, 905, 906, 907, 908, 909, 910, 911, 912, 913, 914, 915, 916, 917, 918, 919, 920, 921, 922, 923, 924, 925, 926, 927, 928, 929, 930, 931, 932, 933, 934, 935, 936, 937, 938, 939, 940, 941, 942, 943, 944, 945, 946, 947, 948, 949, 950, 951, 952, 953, 954, 955, 956, 957, 958, 959, 960, 961, 962, 963, 964, 965, 966, 967, 968, 969, 970, 971, 972, 973, 974, 975, 976, 977, 978, 979, 980, 981, 982, 983, 984, 985, 986, 987, 988, 989, 990, 991, 992, 993, 994, 995, 996, 997, 998, 999, 1000



Handwritten signature and name: J. Cabashe

We are fully SABS and BBEEE Accredited

Contact Details

We operate from 2 premises, the Engineering shop is at:

Units 10,11 and 12 Tomzeil Factory Units
275 Maggs st
Waltloo
Pretoria

The Foundry is on the premises of Silverton Engineering at:

318 Derdepoort
Silverton
Pretoria

Landline number: 012 803 9120
Facsimile number: 012 803 9438

Email addresses are
John: john@dycer.co.za
Connie: dycer@global.co.za

Mobile numbers are
John: 082 6522 033
Connie: 082 574 2198

